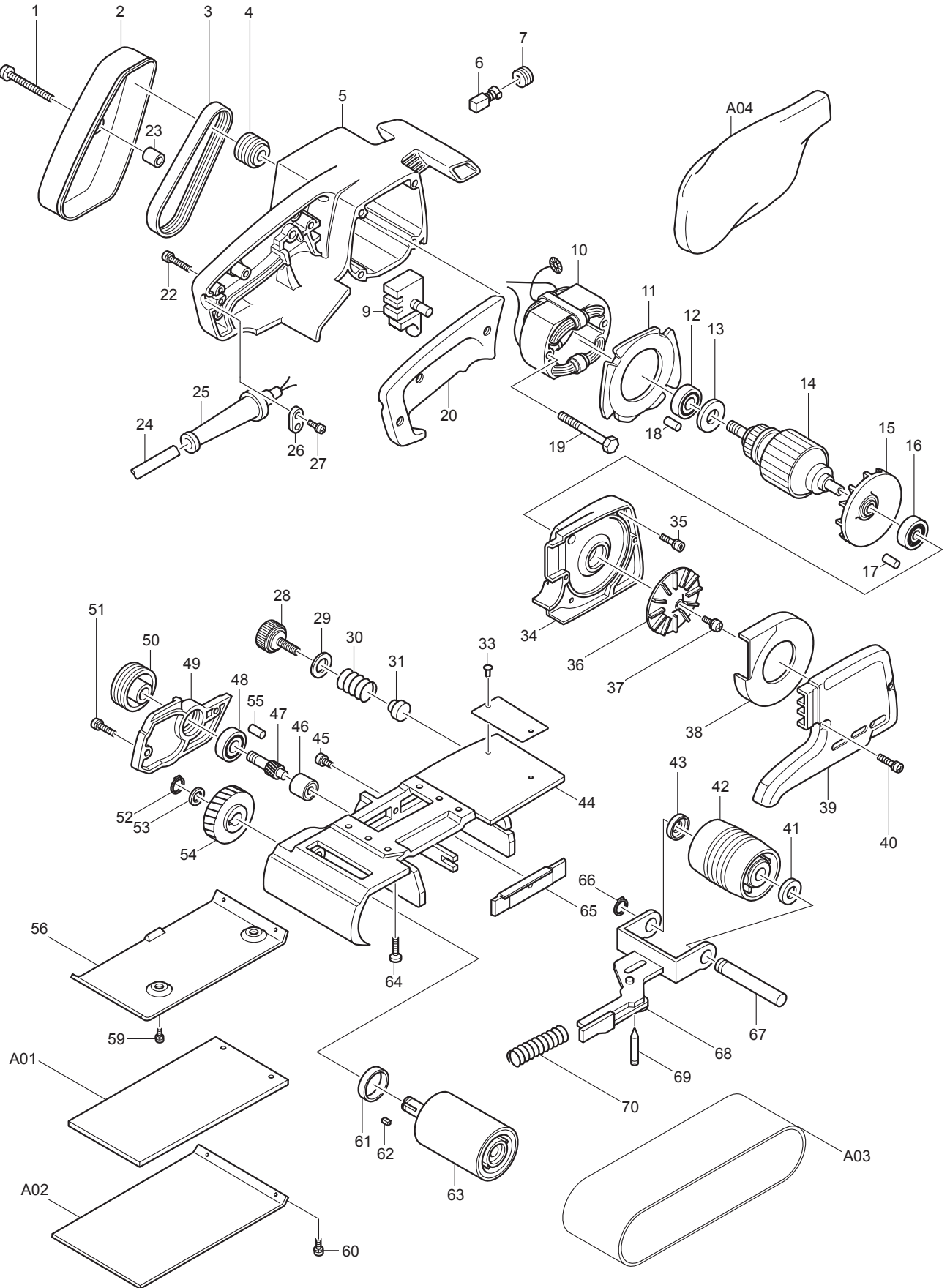




04 - 2010
9924DB
3 X 24" BELT SANDER



PARTS LIST

Item No	Type	Part No	Description	Qty	Unit
001		911261-6	PAN HEAD SCREW M5X40	1	PC.
002	1	343270-1	BELT COVER	1	PC.
003		225008-5	POLY V-BELT 5-304	1	PC.
004		222010-9	V-PULLEY 5-25L	1	PC.
005		156490-6	MOTOR HOUSING	1	PC.
005	2	INC. 643609-1	BRUSH HOLDER (TYPE 2)	2	PC.
005	2	INC.	Item No. 18	2	PC.
006	2	194982-7	CARBON BRUSH CB-124 2PC/SET (W/ ORIGIN)	1	SET
007		643600-9	BRUSH HOLDER CAP 6-10	2	PC.
009		651225-5	SWITCH SGEL215C	1	PC.
010		523122-4	FIELD ASS'Y 115V (OLD# 623122-5)	1	PC.
010		INC. 654019-7	RING TERMINAL	2	PC.
010		INC. 654502-4	CONNECTOR P-2	2	PC.
011		411322-7	BAFFLE PLATE	1	PC.
012		211066-7	BALL BEARING 6200LLB	1	PC.
013		681623-9	INSULATION WASHER	1	PC.
014		513292-7	ARMATURE ASS'Y 115V (OLD# 613292-8)	1	PC.
014		INC.	Item No. 12,13,15,16	1	PC.
015		241809-3	FAN 75	1	PC.
016	2	211087-9	BALL BEARING 6200DDW	1	PC.
018		263002-9	RUBBER PIN 4	1	PC.
019		911270-5	PAN HEAD SCREW M5X45	2	PC.
020		411321-9	HANDLE COVER (WITH 3/HEX NUT M4, #931102-0)	1	PC.
022		911158-9	PAN HEAD SCREW M4X30	3	PC.
023		257504-5	SLEEVE 6	1	PC.
024		660023-6	CORD W/PLUG 2P-18-5.0M, SJ	1	PC.
024		Opt. 664064-4	CORD W/PLUG 2P-18-2.5M, SJ	1	PC.
025		682502-4	CORD GUARD 8-85	1	PC.
026		687002-9	STRAIN RELIEF	1	PC.
027	2	911133-5	PAN HEAD SCREW M4X18	2	PC.
028	2	265B65-3	* THUMB SCREW M6X27 (SHOE no longer needed)	1	PC.
030	2	232573-7	* COMPRESSION SPRING 16	1	PC.
032		862386-8	NAME PLATE F/9924DB	1	PC.
034	2	312810-6	* DUST COLLECTOR BRACKET (TYPE 2) (W/O Item 17)	1	PC.
035		911241-2	PAN HEAD SCREW M5X25	4	PC.
036		241611-4	FAN 74	1	PC.
037		911211-1	PAN HEAD SCREW M5X12	1	PC.
038		343271-9	SEPARATOR	1	PC.

Item No	Type	Part No	Description	Qty	Unit
039	1	312809-1	DUST COLLECTOR COVER	1	PC.
039	2	312E27-1	DUST COLLECTOR COVER	1	PC.
040		911131-9	PAN HEAD SCREW M4X18	2	PC.
041		253922-5	CUP WASHER 12	1	PC.
042		152104-5	TENSION ROLLER COMPLETE	1	PC.
042	INC.	413012-8	SPONGE SHEET 30-47	1	PC.
042	INC.	214101-0	PLANE BEARING 12	2	PC.
043		253922-5	CUP WASHER 12	1	PC.
044	1	151189-8	FRAME COMPLETE	1	PC.
044	2	141R36-9	FRAME COMPLETE	1	PC.
045		911211-1	PAN HEAD SCREW M5X12	1	PC.
046		212003-4	NEEDLE BEARING 810	1	PC.
047		221193-2	HELICAL GEAR 10	1	PC.
048		211066-7	BALL BEARING 6200LLB	1	PC.
049	1	312808-3	* GEAR COVER (OLD# 152206-7 - N/L/A)	1	PC.
050		222011-7	V-PULLEY 5-45	1	PC.
051		911131-9	PAN HEAD SCREW M4X18	2	PC.
052		961052-5	RETAINING RING S-12	1	PC.
053	2	253312-2	THIN WASHER 12	4	PC.
054		221070-8	HELICAL GEAR 48	1	PC.
056		341647-4	* BASE PLATE (For Width 3-7/8" Width) (TYPE 2)	1	PC.
059		911111-5	PAN HEAD SCREW M4X10	2	PC.
060		911114-9	PAN HEAD SCREW M4X10	2	PC.
061		253922-5	CUP WASHER 12	1	PC.
062		254202-2	KEY 4	1	PC.
063		151113-1	DRIVING ROLLER COMPLETE	1	PC.
063	INC.	325044-2	DRIVING ROLLER SHAFT	1	PC.
064		912227-9	COUNTERSUNK HEAD SCREW M5X18	6	PC.
065		155326-6	EDGE SLIDER	1	PC.
066		961052-5	RETAINING RING S-12	1	PC.
067		325458-5	TENSION ROLLER SHAFT	1	PC.
068		163104-0	TENSION ROLLER ARM	1	PC.
069		323634-5	SUPPORT PIN	1	PC.
070		231033-6	COMPRESSION SPRING 11	1	PC.
100		654037-5	INSULATED EYE TERMINAL FT1.25-M3	4	PC.
101		652008-6	P.H. SCREW M3.5X7	4	PC.
102		654509-0	CLOSED END CONNECTOR 2-SD	1	PC.
A01		423035-8	* CORK RUBBER PLATE (TYPE 2)	1	PC.
A02		423036-6	* CARBON PLATE 98MM (TYPE 2)	1	PC.

Item No	Type	Part No	Description	Qty	Unit
A02	Opt.	341705-6	* STEEL PLATE (TYPE 2)	1	PC.
A03		742312-8C	3X24" ABRASIVE BELT 10PC/SET	1	PC.
A04		122296-4	DUST BAG ASS'Y	1	PC.
A04	INC.	410602-8	FASTENER	1	PC.
A05		122299-8	BELT SANDER STAND	1	PC.
A05	INC.	934201-7	WING NUT M5	3	PC.
A05	INC.	923211-9	COUNTERSUNK SQUARE NECK BOLT M5X12	3	PC.
A05	INC.	924366-3	THUMB SCREW M6X50	1	PC.
A05	INC.	924316-8	THUMB SCREW M6X15	2	PC.
A06		P-80019	DUST NOZZLE	1	PC.
C01		828006-4	CARTON F/9924DB	1	PC.

SERVICE CHANGE: 9924DB

1. Change on Base Plate, Cork Rubber Plate, Steel Plate / Graphite Plate

Item No.	Description	Type 1	Type 2
056	Base Plate	345164-6 For Width 3-3/8" (85.725mm)	341647-4 For Width 3-7/8" (98.425mm)
A01	Cork Plate	423021-9A	423035-8
A02	Carbon Graphite Plate / Steel Plate	423028-5 (Carbon Graphite) or 342526-9 (Steel)	423036-6 (Carbon Graphite) or 341705-6 (Steel)
	Serial No.	1001E - 7320E	7321E -

Above parts are completely interchangeable as a set.

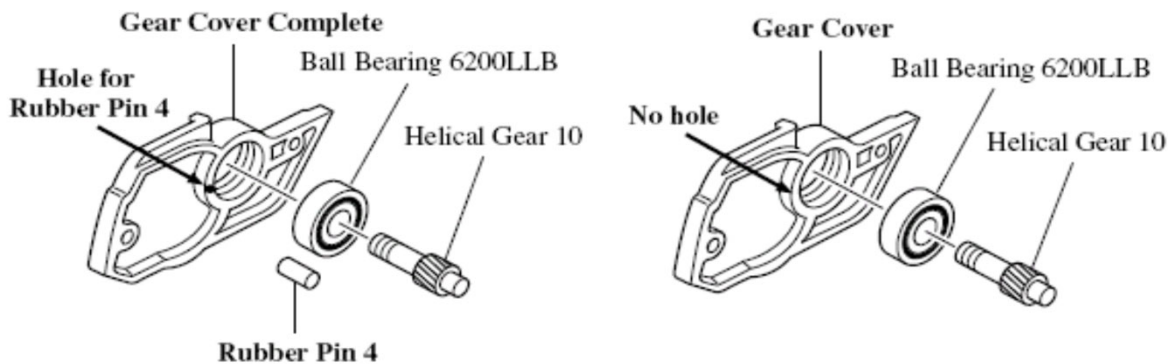
2. Change on Dust Collector Bracket

Item No.	Description	Type 1	Type 2
034	Dust Collector Bracket	152208-3	312810-6
017	Rubber Pin 4	263002-9	-----

Above parts are completely interchangeable as a set.

3. Change on Gear Cover Complete

Item No.	Description	Type 1	Type 2
049	Gear Cover Com	152206-7	312808-3
055	Rubber Pin 4	263002-9	-----



Rubber Pin 4 (a constituent part of Gear Cover Complete) has been eliminated. Consequently, new Gear Cover has no hole for Rubber Pin 4.

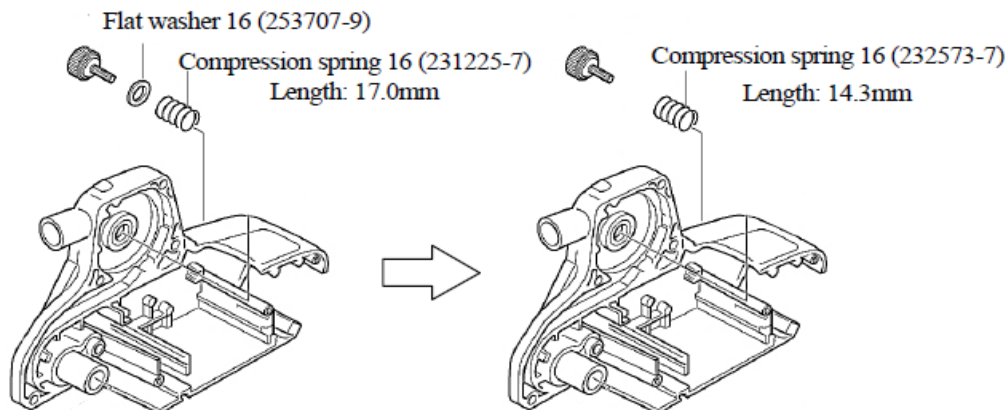
Note: Rubber Pin 4 is necessary for the current Gear Cover Complete (Pt. No. 152206-7).

When using the current Gear Cover Complete, do not remove the Rubber Pin 4 from it.

4. Changes on Compression Spring 16 and elimination on Flat Washer 16

Item No.	Description	Type 1	Type 2
029	FLAT WASHER 16	253707-9	-----
030	COMPRESSION SPRING 16	231225-7	232573-7

Above parts are completely interchangeable as a set.



5. Changes on Screw M6x25 and Elimination of Shoe

(T/I#D6580)

Item No.	Description	Type 1	Type 2
028	SCREW M6X25	251815-0	265B65-3
031	SHOE	411594-4	-----

Above parts are completely interchangeable as a set.

